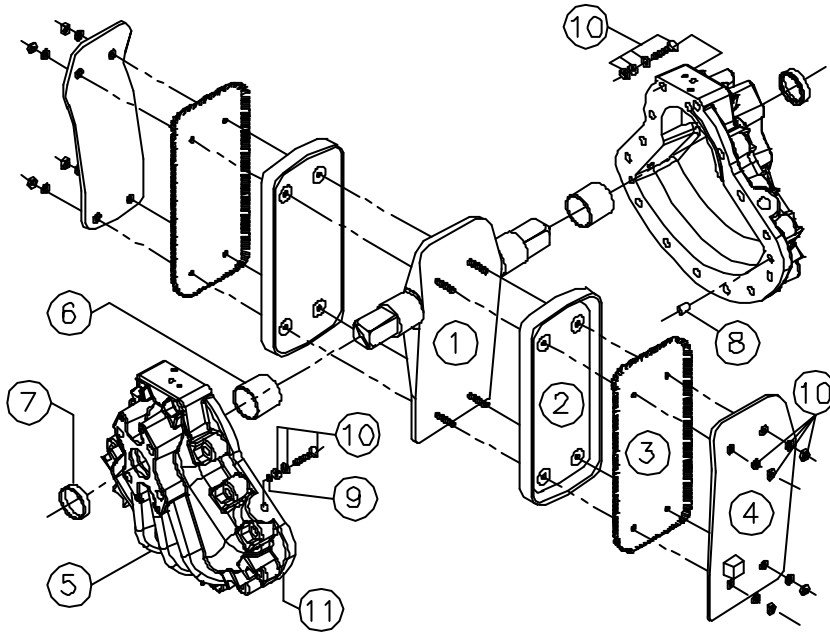
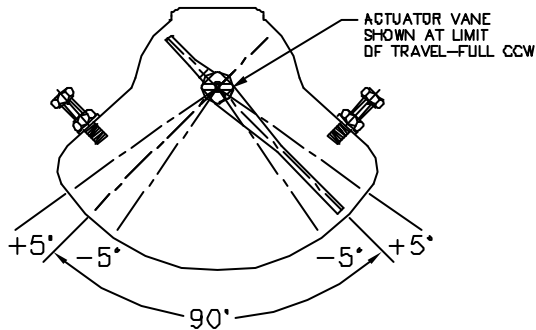


These mechanical drawings are the sole property of K-TORK International, Inc. and recipient shall not copy, reproduce or distribute, in whole or in part, in any manner these drawings without the prior written consent of K-TORK International, Inc. Articles manufactured in accordance with these drawings shall be considered K-TORK design, and manufacturer shall not manufacture, produce or distribute, for itself or on behalf of any other person or entity, articles substantially conforming to the specifications set forth in these drawings, or parts thereof, without the prior written consent of K-TORK International, Inc. all contents © 1999 K-TORK International, Inc. all rights reserved. Trademarks pending.



Materials of Construction

ADJUSTABLE
ROTATION
80° - 100°



ACTUATOR VANE
SHOWN AT LIMIT
OF TRAVEL—FULL CCW

| ITEM | QTY. | DESCRIPTION | MATERIAL |
|------|------|----------------------------|--|
| 11 | LOT | Interior / Exterior Finish | Two-Stage Stoved Epoxy |
| 10 | LOT | Hardware | Stainless Steel |
| 9 | 2 | Stop Bolt O-ring | Nitrile, 175°F (80°C) / K-Seal 300°F (150°C) |
| 8 | 2 | Locator Pin | Mild Steel |
| 7 | 2 | Shaft Seal | Nitrile, 175°F (80°C) / K-Seal 300°F (150°C) |
| 6 | 2 | Shaft Bushing | Glacier DU |
| 5 | 2 | Case Half | K-1 to K-4 A380 Aluminum / K-5 to K-7 A358 Aluminum |
| 4 | 2 | Vane Seal Side Plate | Carbon Steel, Epoxy Finish |
| 3 | 2 | Vane Seal Expander | Stainless Spring Steel |
| 2 | 2 | Vane Seal | Polyurethane, 175°F (80°C) / K-Seal, 300°F (150°C) |
| 1 | 1 | Vane and Output Shaft | High Tensile Alloy Steel / Electroless Nickel Plated |

TOLERANCES

ALL DIMENSIONS ARE IN INCHES
UNLESS OTHERWISE NOTED



10420 VISTA PARK RD, DALLAS, TX, 75238
PH. 214/341-1099 FX. 214/343-9853

| | |
|---------------------|----------------|
| DESIGNED: | DATE: |
| DRAWN: Daniel | DATE: 11-27-01 |
| REF DWG: | |
| APPROVED: | DATE: |
| FRACTIONS: +/- 1/32 | SCALE: NONE |

K-TORK
PNEUMATIC ROTARY ACTUATORS
MATERIALS OF CONSTRUCTION

Ⓐ SUBMITTAL DATA

| REV | DATE | BY | REVISION | APPROVAL | EDN No. |
|-----|----------|-----|-----------------------|----------|---------|
| 2 | 2-27-02 | DGC | UPDATED TITLE BOX | RAND | |
| 1 | 11-27-01 | DGC | RELEASED FOR APPROVAL | RAND | |